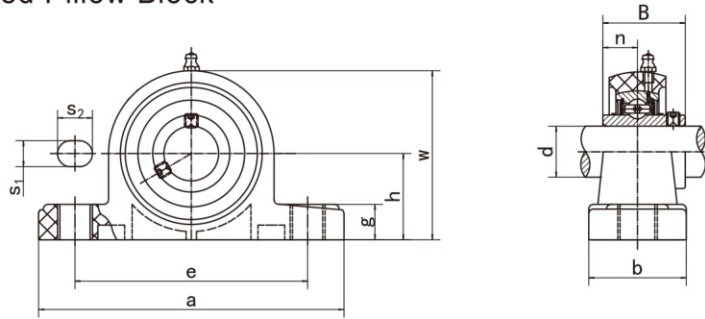
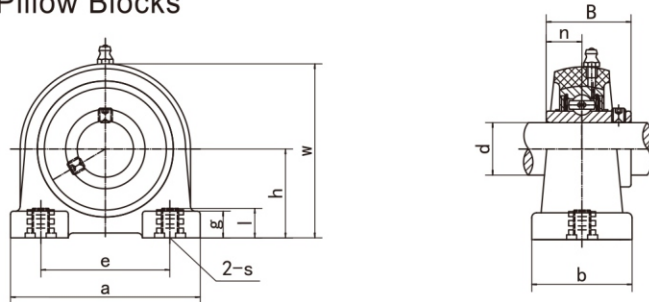


**Thermoplastic Housed Pillow Block**



Unit NO.	Dimensions ( mm / in. )												Max.Torque		Bearing No.	Housing No.	Weight (kg)
	d	h	a	e	b	s1	s2	g	w	B	n	Bolt D	Nm				
SS-UCPPL204	3/4	20	33.3	127.0	95.0	38.0	11.0	14.0	14.2	65.5	31.0	12.7	M10	18	SS-UC204	PPL204	0.29
SS-UCPPL205	13/16 ; 7/8 ; 15/16 ; 1	25	36.5	140.5	105.0	38.0	11.0	14.0	14.5	71.0	34.0	14.3	M10	25	SS-UC205	PPL205	0.34
SS-UCPPL206	1-1/16 ; 1-1/8 ; 1-3/16 ; 1-1/4	30	42.9	163.0	119.0	46.0	14.0	18.0	17.8	84.0	38.1	15.9	M10	30	SS-UC206	PPL206	0.54
SS-UCPPL207	1-1/4 ; 1-5/16 ; 1-3/8 ; 1-7/16	35	47.6	168.0	127.0	48.0	14.0	18.0	18.0	94.5	42.9	17.5	M12	35	SS-UC207	PPL207	0.78
SS-UCPPL208	1-1/2 ; 1-9/16	40	49.2	184.0	137.0	54.0	14.0	18.0	19.5	99.0	49.2	19.0	M12	40	SS-UC208	PPL208	0.97
SS-UCPPL209	1-5/8 ; 1-11/16 ; 1-3/4	45	54.0	192.0	146.0	54.0	17.0	20.0	23.0	106.0	49.2	19.0	M16	45	SS-UC209	PPL209	1.09
SS-UCPPL210	1-13/16 ; 1-7/8 ; 1-15/16 ; 2	50	57.2	206.0	159.0	60.0	17.0	20.0	23.0	114.0	51.6	19.0	M16	50	SS-UC210	PPL210	1.20
SS-UCPPL211	2 ; 2-1/16 ; 2-1/8 ; 2-3/16	55	63.5	219.0	171.0	60.0	20.0	23.0	23.0	125.0	55.6	22.2	M16	55	SS-UC211	PPL211	1.38
SS-UCPPL212	2-1/4 ; 2-5/16 ; 2-3/8 ; 2-7/16	60	69.8	241.0	184.0	70.0	20.0	23.0	25.0	138.0	65.1	25.4	M16	60	SS-UC212	PPL212	1.52

**Thermoplastic Housed Pillow Blocks**



Unit NO.	Dimensions ( mm / in. )												Max.Torque		Bearing No.	Housing No.	Weight (kg)
	d	h	a	e	b	s	l	g	w	B	n	Bolt D	Nm				
SS-UCPAPL204	3/4	20	30.2	76.0	52.0	40.0	M8	15.0	11.0	62.0	31.0	12.7	M8	18	SS-UC204	PAPL204	0.55
SS-UCPAPL205	13/16 ; 7/8 ; 15/16 ; 1	25	36.5	84.0	56.0	38.0	M10	15.0	12.0	72.0	34.1	14.3	M10	25	SS-UC205	PAPL205	0.61
SS-UCPAPL206	1-1/16 ; 1-1/8 ; 1-3/16 ; 1-1/4	30	42.9	94.0	66.0	50.0	M10	18.0	12.0	84.0	38.1	15.9	M10	30	SS-UC206	PAPL206	0.89
SS-UCPAPL207	1-1/4 ; 1-5/16 ; 1-3/8 ; 1-7/16	35	47.6	110.0	80.0	55.0	M10	20.0	13.0	95.0	42.9	17.5	M10	35	SS-UC207	PAPL207	1.31
SS-UCPAPL208	1-1/2 ; 1-9/16	40	49.2	116.0	84.0	58.0	M12	20.0	13.0	100.0	49.2	19.0	M12	40	SS-UC208	PAPL208	1.56
SS-UCPAPL209	1-5/8 ; 1-11/16 ; 1-3/4	45	54.2	120.0	90.0	60.0	M12	25.0	13.0	108.0	49.2	19.0	M12	45	SS-UC209	PAPL209	1.70
SS-UCPAPL210	1-13/16 ; 1-7/8 ; 1-15/16 ; 2	50	57.2	130.0	94.0	64.0	M16	25.0	14.0	116.0	51.6	19.0	M16	50	SS-UC210	PAPL210	1.93
SS-UCPAPL211	2 ; 2-1/16 ; 2-1/8 ; 2-3/16	55	63.5	140.0	104.0	66.0	M16	25.0	14.0	125.0	55.6	22.2	M16	55	SS-UC211	PAPL211	2.33
SS-UCPAPL212	2-1/4 ; 2-5/16 ; 2-3/8 ; 2-7/16	60	69.9	150.0	114.0	68.0	M16	25.0	15.0	138.0	65.1	25.4	M16	60	SS-UC212	PAPL212	2.90